

16P103 Oxygen Sensor



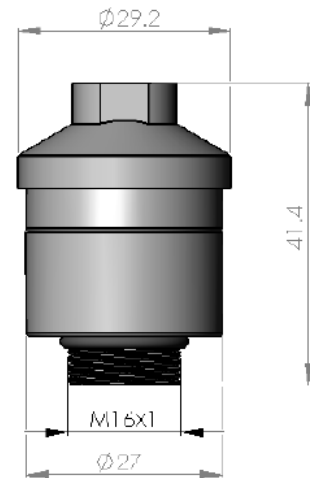
Key Features:

Lead-free, RoHS conform, long-life expectancy, fully CO2 resistance, neutral electrolyte, non poisonous

All characteristics are based on conditions at 25°C, 50 % RH and 1013 hPa

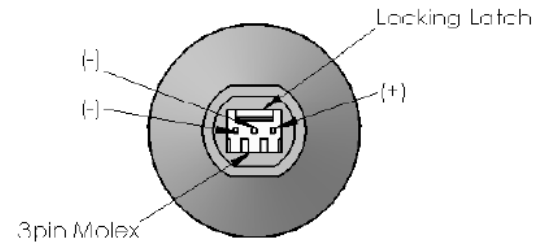
Specification

Operating Principle:	galvanic fuel cell
Electrical Connector:	3-pin Molex
Measurement Range:	0 - 100 Vol. %
Nominal Sensor Life:	> 1, 200, 000 Vol. % h
Expected Operating Life:	6 years @ ambient air
Output Signal Delivery Condition:	10.5 - 13.5 mV @ dry ambient air
Output Signal Range:	5 - 15 mV @ dry ambient air
Response Time t_{90} :	< 5 sec
Linearity Error:	0 - 2 % oxygen: ± 0.1 % absolute 2.1 - 35 % oxygen: ± 0.5 % relative
Drift:	< 1 % / month, averaged across 12 mo
Operating Temperature:	0 - 45°C
Pressure Range:	750 - 1250 hPa



Storage Conditions

Temperature Range:	maximum: - 15 - 60 °C recommended: 5 - 30 °C
Ambient Pressure:	750 - 1250 hPa
Humidity:	up to 100 % RH
Material in Contact with Media:	ABS, PVC, PPS, PTFE, Stainless Steel
Shelf Life:	less than 6 months recommended
Weight:	approximately 25 g
Warranty Period:	12 months
Housing Color:	white



This data sheet is subject to change without prior notice!