

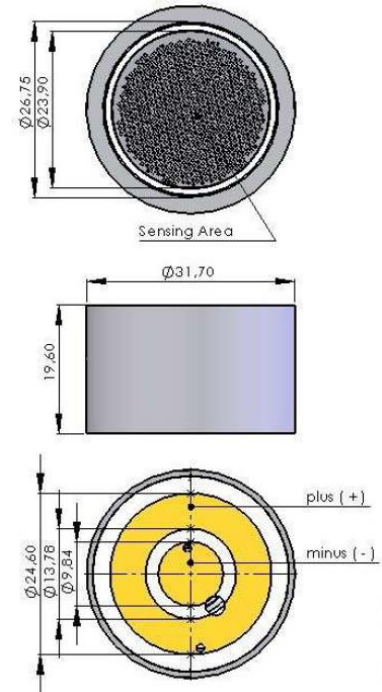
16P307 Oxygen Sensor for acidic gases



Specification

All data based on the following conditions
at 25°C , 50% RH and 10 bar

connection:	2 x slip rings on PCB
range:	100 to 210000 ppm O ₂
expected life time:	75.000 Vol. % O ₂ h
output signal (at delivery):	250 µA ± 60 µA @ on ambient air
Response time:	< 180 s from 21 % to 1000 ppm < 20 min from 21 % to 250 ppm < 50 min from 250 ppm to 100 ppm
Operating temperature:	0°C to 50°C
pressure :	0 – 10 bar
Material in contact with Medium:	PVDF, stainless steel, PTFE
Electrolyte:	acid



Tolerance: ± 0.15 mm

storage conditions

packing:	plastic bag with nitrogen purge
Temperature:	0 to 45°C maximum 5 to 25°C recommended
pressure:	10 bar
humidity:	up to 95% RH (non-condensing)