

H-Stat Humidistat



FEATURES



- Large LCD showing the humidity reading or set point
- Menu access using the push button on the front panel display
- Proven humidity sensor with extraordinary performance in repeatability and durability
- User friendly installation/replacement with plug in electronic module and base plate

The H-Stat

The H-STAT is a low voltage microprocessor-based humidistat ideal for controlling humidification and dehumidification in both residential and commercial applications. It offers an optional temperature sensor used to lower the humidity set point to prevent condensation buildup on windows or structures.

H-Stat Humidistat



Technical Information

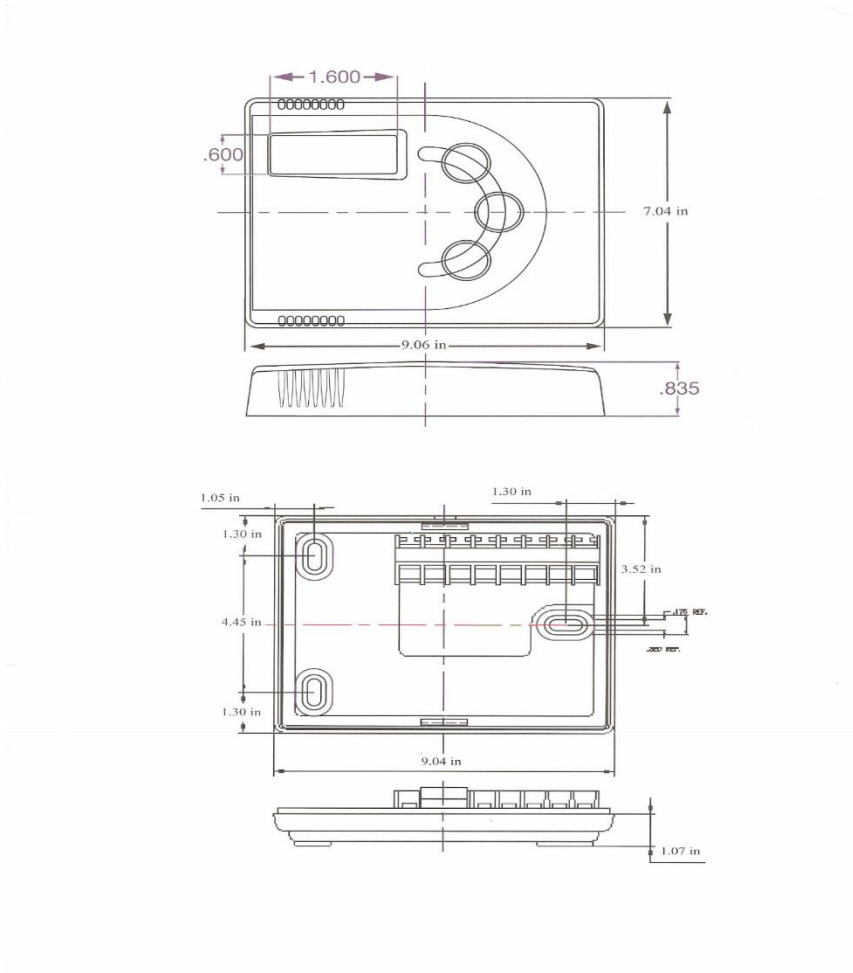
Measurement Ranges	10-95% RH*
Relay Contact	1 Λ @125VAC
Stability	+/-1%@50% RH, 5yr
Temp Effect	0.05%RH/°F
Control Range	10-95% RH
Resolution	0.1 %
Output	4-20mA
Enclosure	ABS
Accuracy @ 25C	+/-2% RH from 30-80%
Supply Voltage	24Vdc or 24Vac
Operating Temperature	5°C to 50°C
Repeatability	+/-0.3%RH

*non-condensing

H-Stat Humidistat



Dimensions:



Contact layout:

